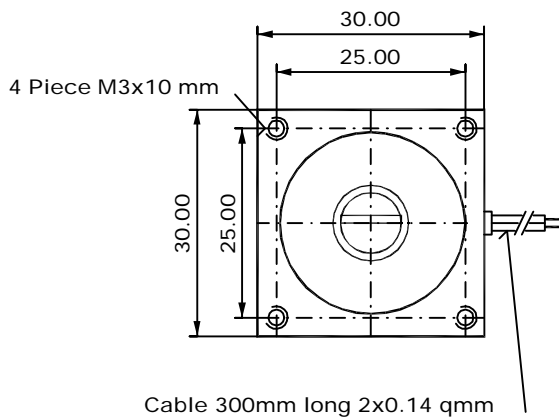
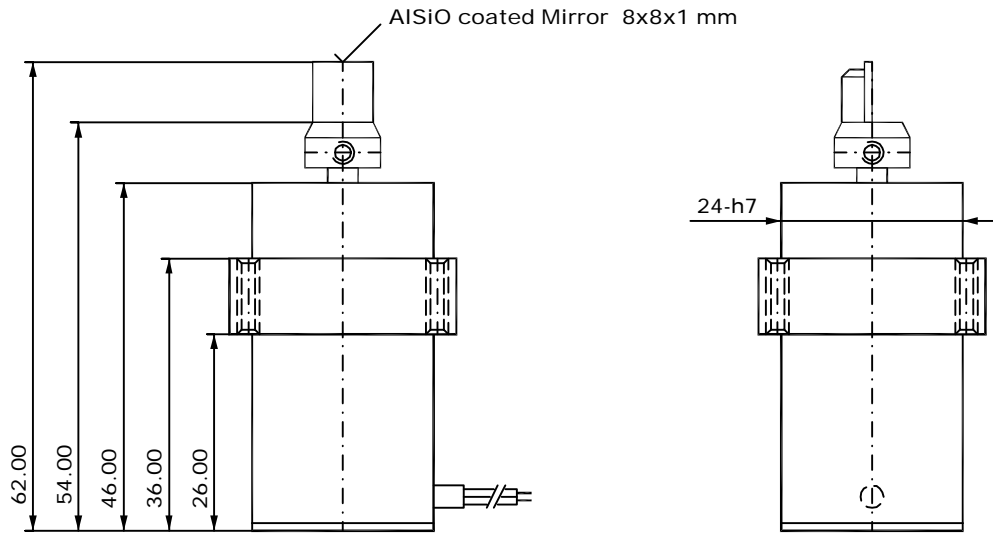


Scanner 055E

(23/25 Hz Resonant - Scanner)



Specifications

Optical Angle (deg.)	10 - 55
Resonance-Freq. (Hz)	23/25
Mirror Size (mm)	8x8x1
Coil Resistance (Ohm) max.	1.70
Life time (cycles)	10 ⁹
Weight (g) *	170