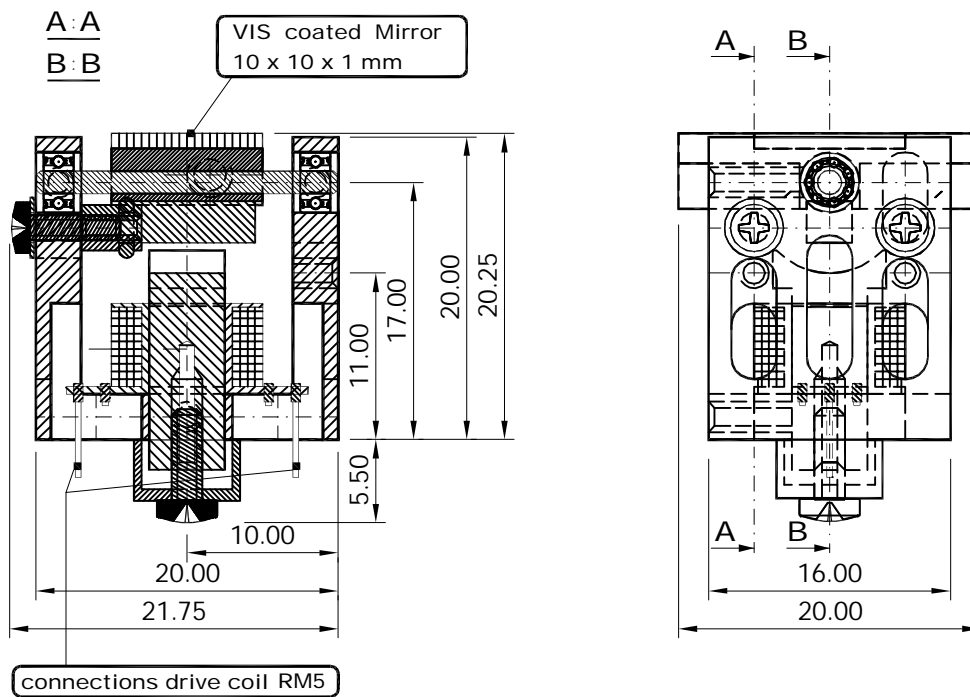


LSK AG has developed a Line Scanner that strikes due to its additional, special qualities:

- very small housing
- low cost
- durable - due to special ballbearings
- resonant-frequency 23 Hz / 24 Hz or 25 Hz sinewave
- very low power consumption, typical 50 mW (battery use)
- very large variable deflection angle up to 100° optical
- excellent intensity of the whole laserline
- replacement for cylindrical lenses
- applications f.e. for 3D scanning and dermatological systems
- special material, special light-weight construction
- weight: 12 g
- patent no. 0241430EP



Specifications

Optical Angle (deg.) max.	100
Resonant-Freq. (Hz)	23 / 24 or 25
Optical Angle (deg.)	20° / 50 mW
Mirror Size (mm)	10 x 10 x 1
Coil Resistance (Ohm)	2.8
Life time (cycles)	10 ⁹
Weight (g)	12