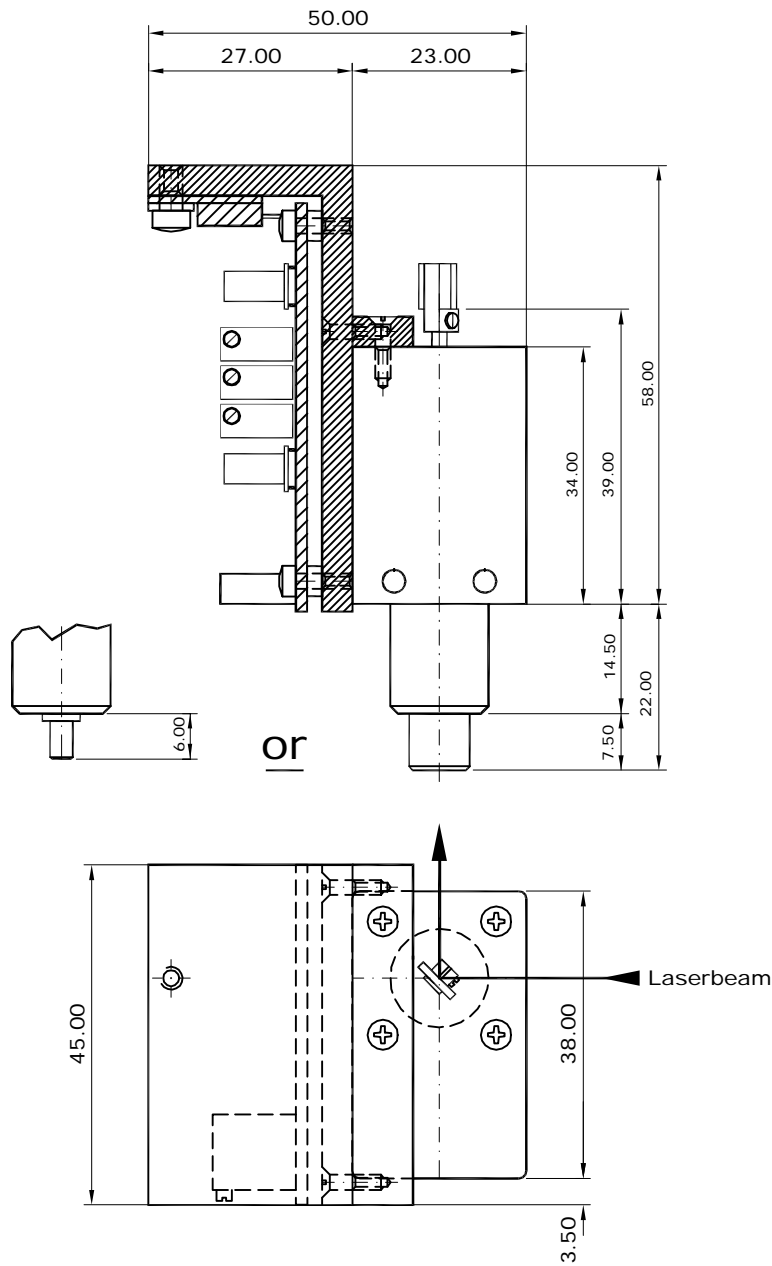


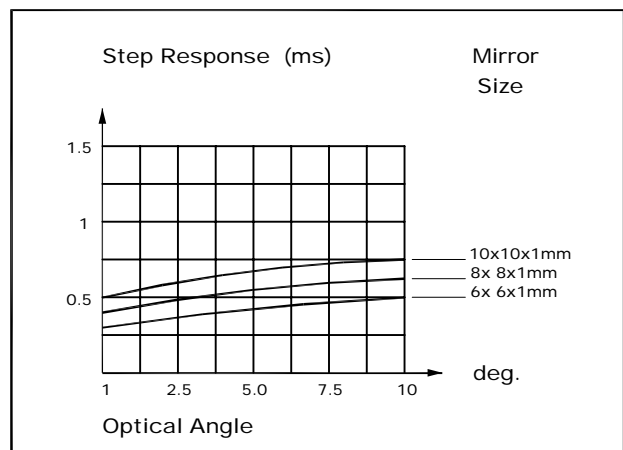
# High-Speed-Scan-Module STEF 010

**Closed-Loop-System complete with mirror and attached Drive-Electronic**



## Specifications

|                                    |                     |
|------------------------------------|---------------------|
| Input Signal                       | +/-10V max.         |
| Supply Voltage                     | +/-15VDC 1.5Amp.    |
| Optical Angle (deg.)               | 10                  |
| Coil Resistance parallel (ohm)     | 2.3                 |
| Linearity (%)                      | +/- 0.3             |
| Repeatability (mrad) (10sec. test) | 0.20                |
| Zero Drift (mrad/deg. cel.)        | 0.50                |
| Wobble (mrad)                      | 0.04                |
| Rotor Inertia (g-cm) <sup>2</sup>  | 0.027               |
| Maximum Torque (Ncm)               | 150                 |
| Typical Mirror Size (mm)           | 6x6x1 up to 10x10x1 |
| Life time (cycles)                 | 10 <sup>9</sup>     |
| Weight (g)                         | 185                 |



Measured with LSK Scanner-Driver and Mirrormount.